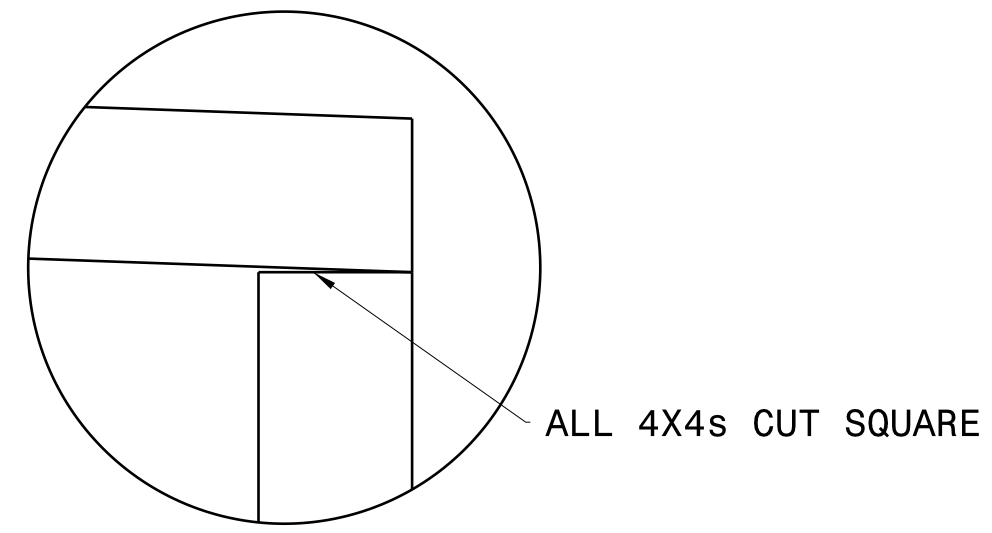


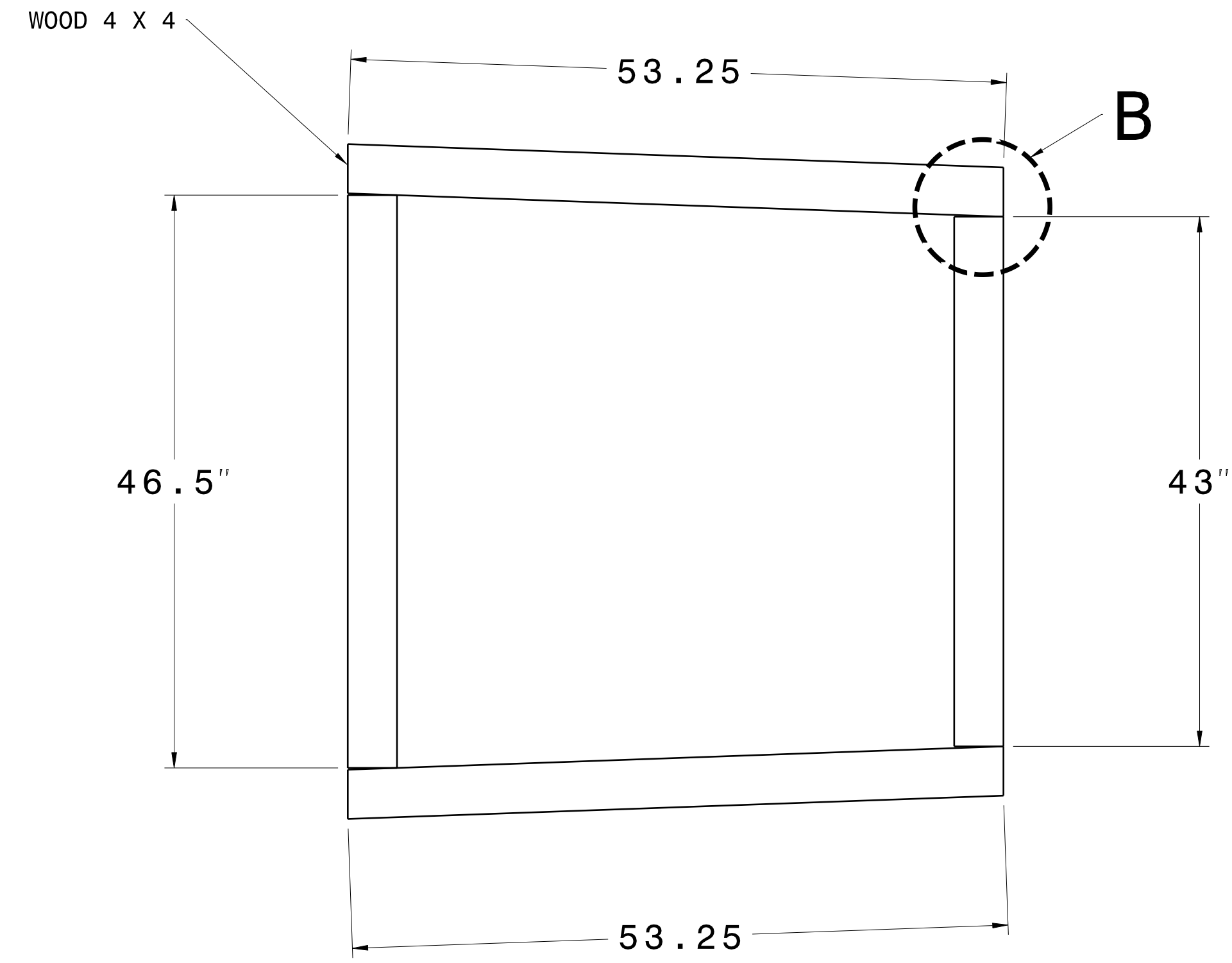
Notes

1. Material:

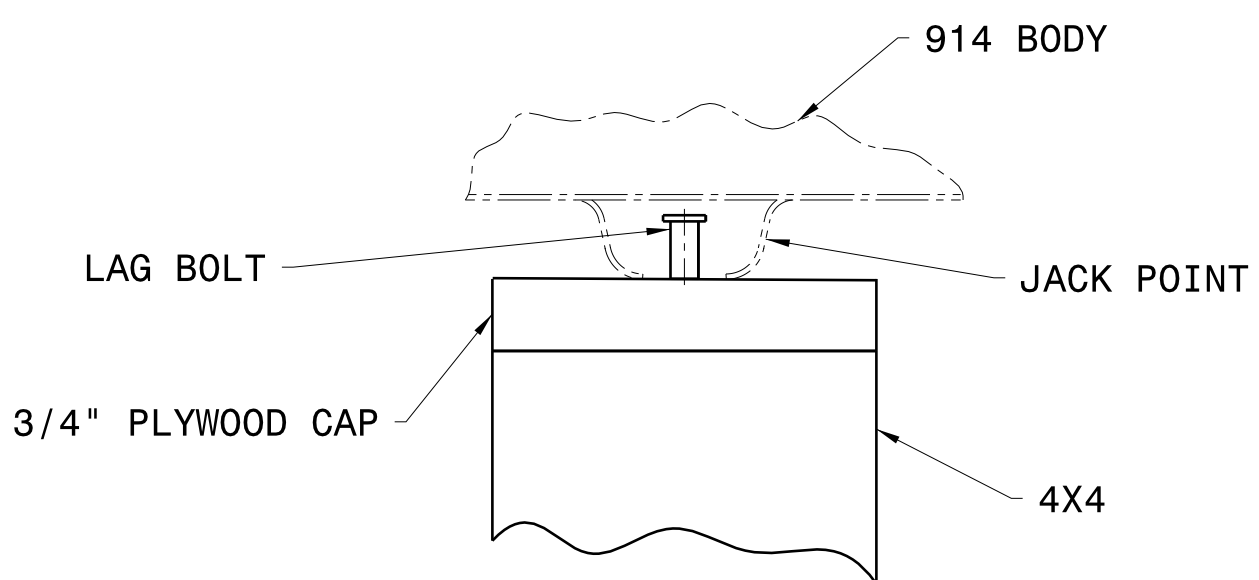
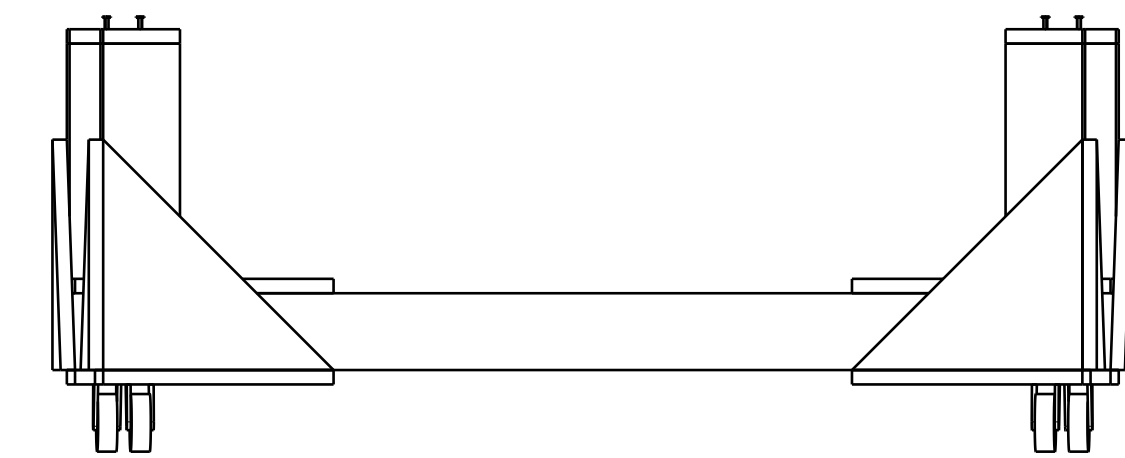
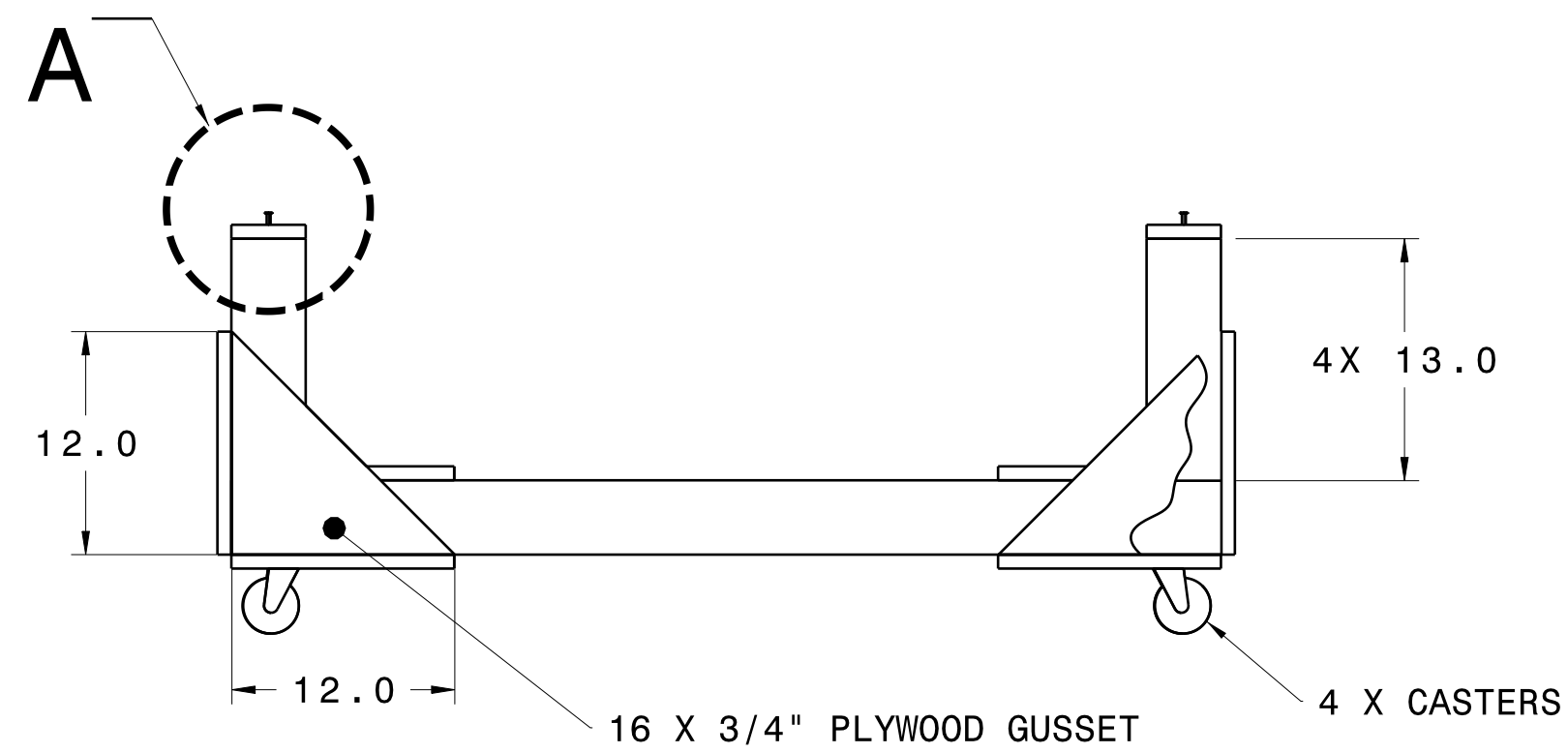
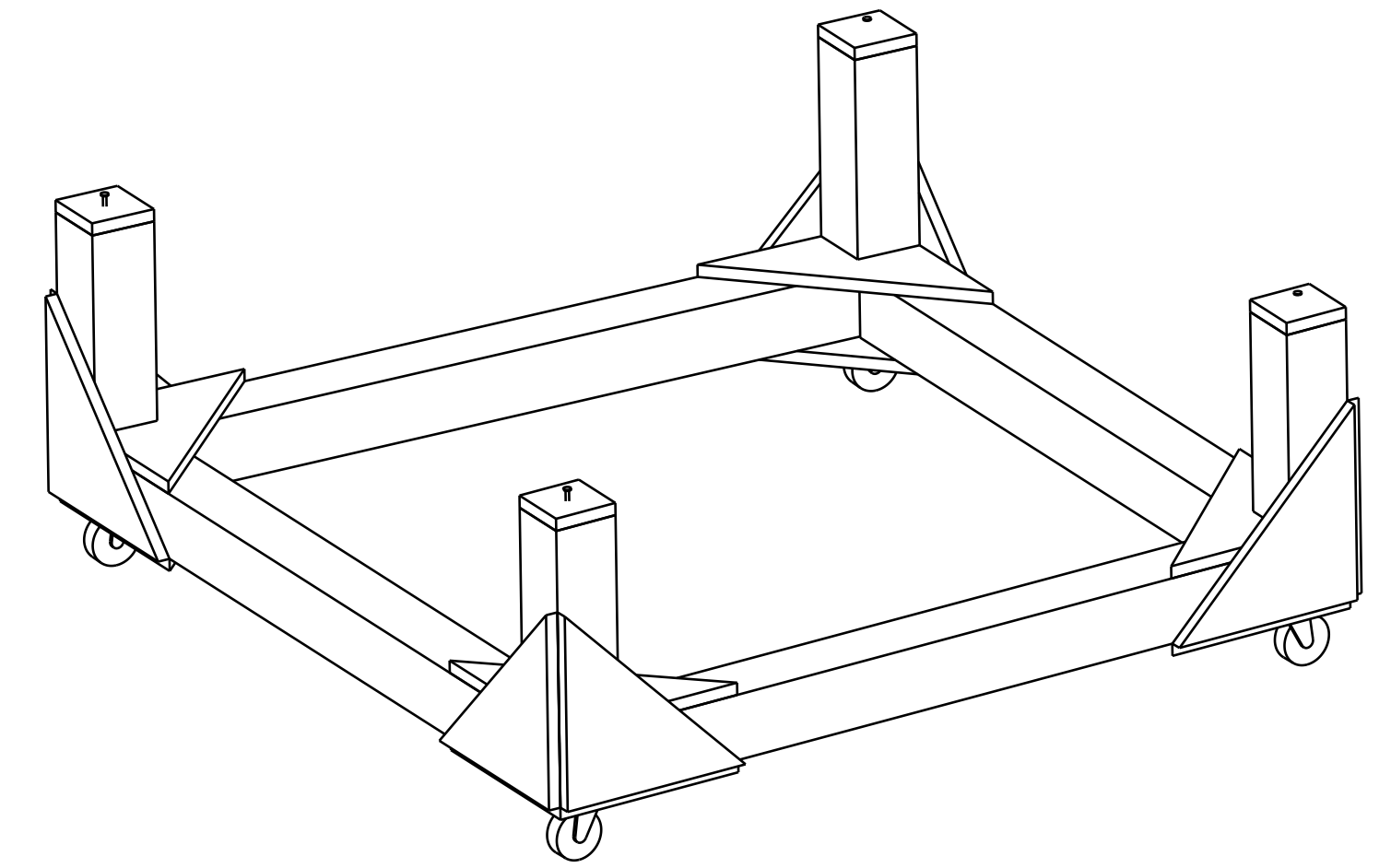
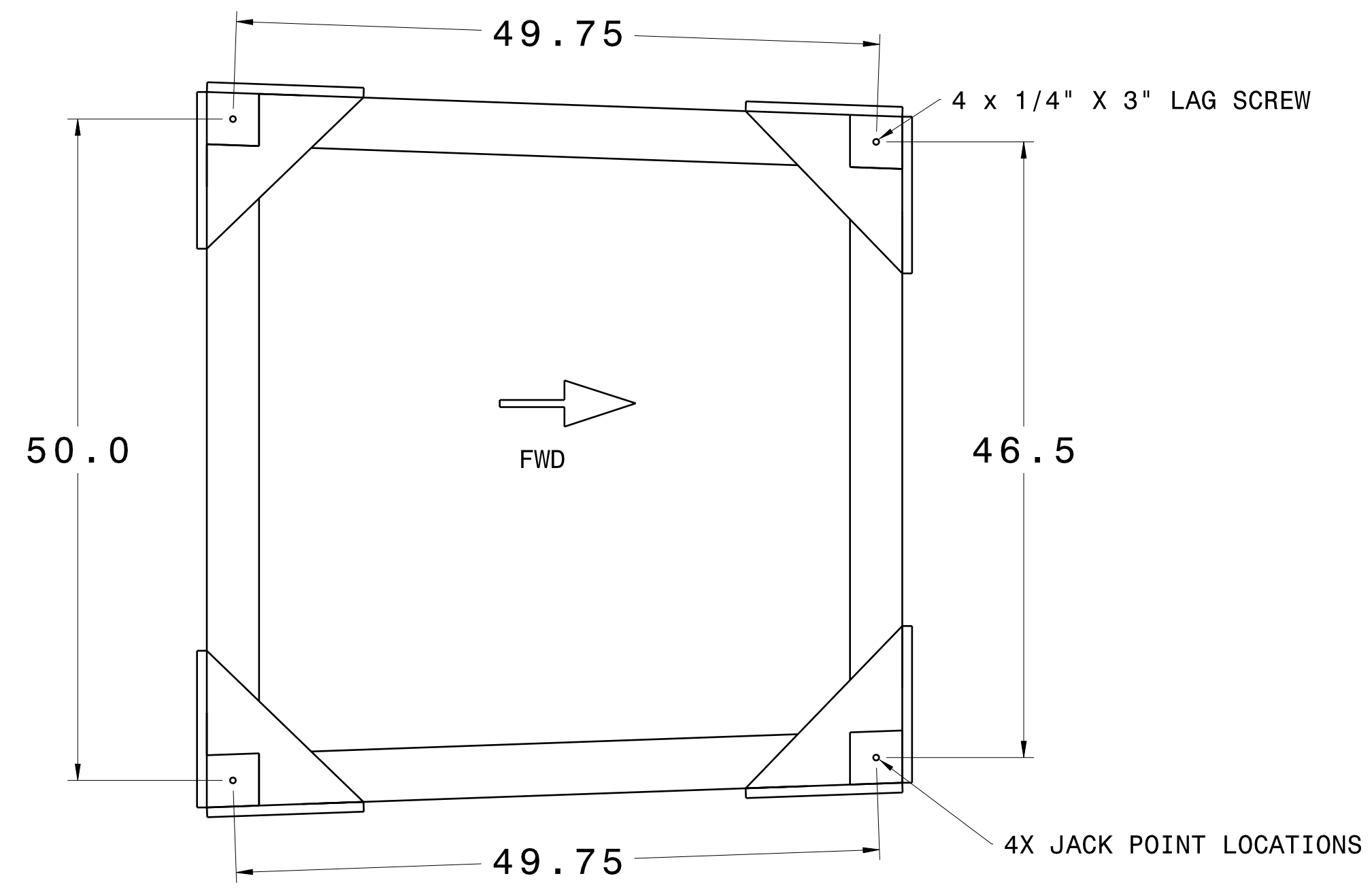
- (2) 8' 4X4
- (1) 10' 4X4
- (16) 12 X 12 X 3/4" PLYWOOD GUSSETS
- (4) 1/4"X3 LAG SCREWS (JACK POINTS)
- (AR) #6 X 2" DECK SCREWS
- (4) CASTERS



B



BASE STRUCTURE ONLY



A

TYP 4 PLC

914 DOLLEY